

About the A-60-EC-STD

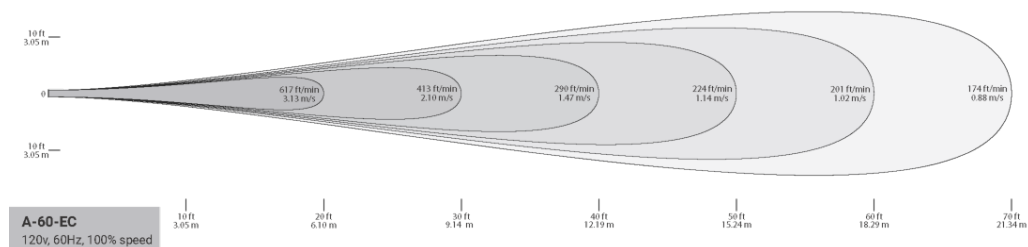
The Air Pear 60-EC is a suitable choice for ceiling heights up to 60 ft., providing an area of coverage of up to 2000 sq. ft.

A-60-EC-STD Control Types

The A-60-EC-STD uses an electrically commutated (EC) motor and can be controlled with a 0-10VDC signal.



Velocity Profile



Data represents 80th percentile of 2000+ samples collected via hot wire anemometer recorded horizontally

Alternative Fan Models (Similar to A-60-EC-STD-100-130-W)

Alternative Body Styles: Air Pear, Designer Series

Alternative Sizes: 10, 15, 25, 45, 60, 100

Alternative Motors: EC, EL, P4

Alternative Nozzles: STD

Alternative Voltages: 120V, 277V

Alternative Colors: Off White, Gray, Black

Contact

811 S. Sherman St., Longmont, CO 80501

Web: airiusfans.com

Phone: 888-AIR-PEAR (247-7327)

Fax: 303-772-8276

Product Description

Airius fans create uniform air temperatures from floor to ceiling for thermal comfort and energy savings.

Housing: PC/ABS, 5VA flame resistance. Off White

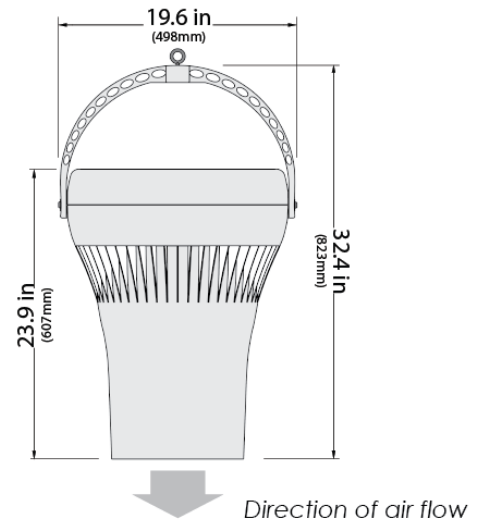
Motor: Electrically commutated, thermally-protected axial motor by ebm-papst®, 92% efficient. Operating temperature: -22°F (-30°C) to 122°F (50°C)

Stator: Patented multi-vane stator significantly increases air throw for maximizing performance.

Certification: Conforms to UL-507, CAN/CSA-C22.2 No. 1113, UL 94 5VA and is ETL listed in USA and Canada

Safety Cable: 6' length steel cable (fastened to body)

Warranty: 3 years parts and workmanship. Money back guarantee: 30 days. Refurbishment program after 3-year warranty period.



Maximum Ratings

Model	Input Power, 1Ø	Amps	Watts	RPM	dB(A)	Mounting Height	Coverage Area
A-60-EC-STD	100-130VAC, 60Hz	1.82	143.0	1605	78.2	Up to 60 ft.	Up to 2000 sq. ft.

⁽¹⁾dB as Sound Power Level, designed to meet ISO 3744 - engineering grade precision for determining sound power.
Data independently verified by third party. Tests performed in-unit.

Controls & Factory Installed Options

Item #	Description
Pearlink	Wi-Fi iOS/Android controller
POT-1	Wall-mounted speed control

Fan Config: A-60-EC-STD-100-130-W	QTY:
Controls/Options:	QTY:
Project:	Engineer:
Submitted By:	Architect:
Date:	Contractor: