

## About the A-60-P4-STD

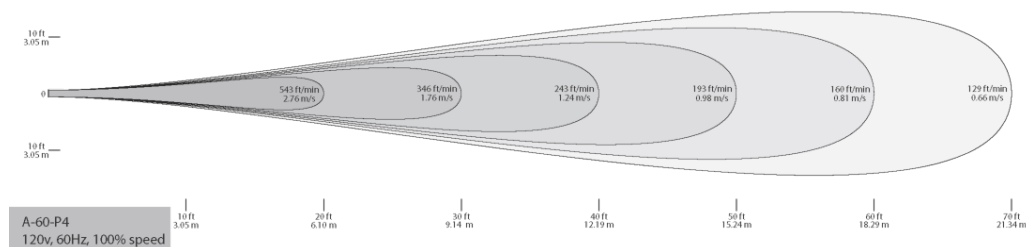
The Air Pear 60-P4-277 is a suitable choice for ceiling heights up to 60 ft., providing an area of coverage of up to 2000 sq. ft.

## A-60-P4-STD Control Types

The A-60-P4-STD uses a permanent split capacitor (P4) motor and can be controlled using a wall-mounted TRIAC speed control in-line with the fan power circuit or a 'smart' controller that accepts 0-10VDC, 2-20mA, or automatic Delta-T control signal.



## Velocity Profile



Data represents 80th percentile of 2000+ samples collected via hot wire anemometer recorded horizontally

## Alternative Fan Models (Similar to A-60-P4-STD-277-W)

Alternative Body Styles: Air Pear, Designer Series

Alternative Sizes: 45, 60

Alternative Motors: EC, EL, P4

Alternative Nozzles: STD

Alternative Voltages: 120V, 230V, 277V

Alternative Colors: Off White, Gray, Black

## Contact

811 S. Sherman St., Longmont, CO 80501

Web: [airiusfans.com](http://airiusfans.com)

Phone: 888-AIR-PEAR (247-7327)

Fax: 303-772-8276

## Product Description

Airius fans create uniform air temperatures from floor to ceiling for thermal comfort and energy savings.

**Housing:** PC/ABS, 5VA flame resistance. Off White

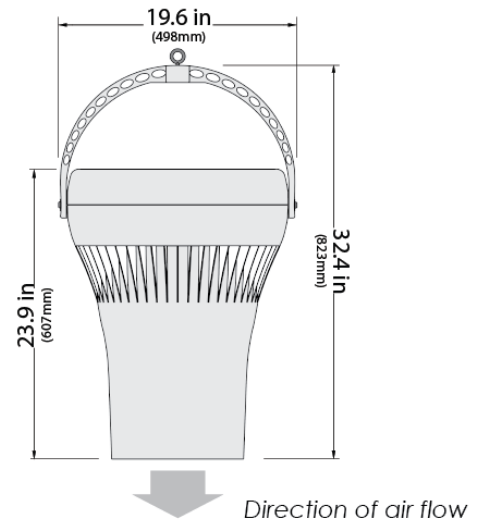
**Motor:** Permanent Split Capacitor, single/variable speed, thermally-protected axial motor. Operating temperature: -13°F (-25°C) to 167°F (75°C). No lubrication required. Bearings are sealed.

**Stator:** Patented multi-vane stator significantly increases air throw for maximizing performance.

**Certification:** Conforms to UL-507, CAN/CSA-C22.2 No. 1113, UL 94 5VA and is ETL listed in USA and Canada

**Safety Cable:** 6' length steel cable (fastened to body)

**Warranty:** 3 years parts and workmanship. Money back guarantee: 30 days. Refurbishment program after 3-year warranty period.



## Maximum Ratings

Model	Input Power, 1Ø	Amps	Watts	RPM	dB(A)	Mounting Height	Coverage Area
A-60-P4-STD	277VAC, 60Hz	0.68	170.0	1660	75.2	Up to 60 ft.	Up to 2000 sq. ft.

<sup>(1)</sup>dB as Sound Power Level, designed to meet ISO 3744 - engineering grade precision for determining sound power.  
Data independently verified by third party. Tests performed in-unit.

## Controls & Factory Installed Options

Item #	Description
TRIAC-277-5	Manual wall-mounted speed control, 5A, 277V. Max 7 fans.

Fan Config: A-60-P4-STD-277-W	QTY:
Controls/Options:	QTY:
Project:	Engineer:
Submitted By:	Architect:
Date:	Contractor: