

About the D-15-EC-STD

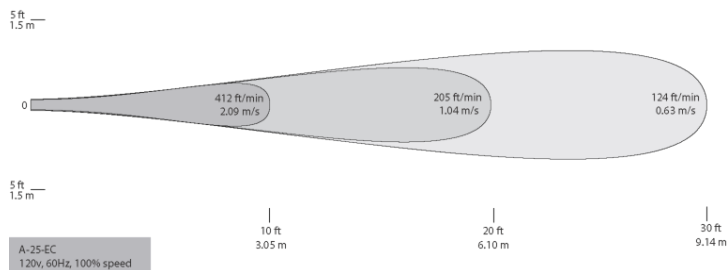
The Designer Series 15-EC-230 is a suitable choice for ceiling heights up to 18 ft., providing an area of coverage of up to 800 sq. ft.

D-15-EC-STD Control Types

The D-15-EC-STD uses an electrically commutated (EC) motor and can be controlled with a 0-10VDC signal.



Velocity Profile



Data represents 80th percentile of 2000+ samples collected via hot wire anemometer recorded horizontally

Alternative Fan Models (Similar to D-15-EC-STD-200-250-W)

Alternative Body Styles: Air Pear, Designer Series, Suspended Series

Alternative Sizes: 10, 15, 25

Alternative Motors: EC, SP

Alternative Nozzles: STD, SH

Alternative Voltages: 120V, 230V

Alternative Colors: Off White, Custom

Contact

811 S. Sherman St., Longmont, CO 80501

Web: airiusfans.com

Phone: 888-AIR-PEAR (247-7327)

Fax: 303-772-8276

Product Description

Airius fans create uniform air temperatures from floor to ceiling for thermal comfort and energy savings.

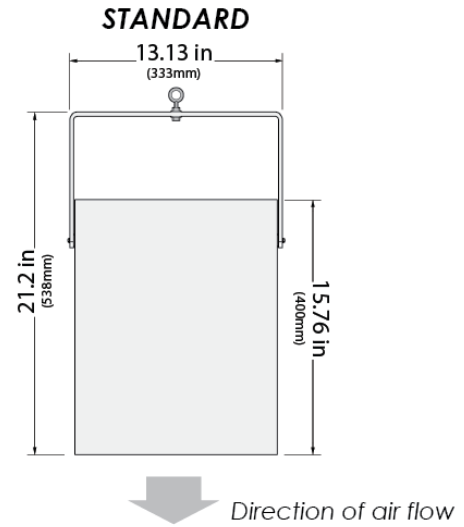
Housing: Aluminum, 5VA flame resistance. Off White

Motor: Electrically commutated, thermally-protected axial motor by ebm-papst®, 92% efficient. Operating temperature: -22°F (-30°C) to 122°F (50°C)

Stator: Patented multi-vane stator significantly increases air throw for maximizing performance.

Certification: Conforms to UL-507, CAN/CSA-C22.2 No. 1113, UL 94 5VA and is ETL listed in USA and Canada

Warranty: 3 years parts and workmanship. Money back guarantee: 30 days. Refurbishment program after 3-year warranty period.



Maximum Ratings

| Model | Input Power, 1Ø | Amps | Watts | RPM | dB(A) | Mounting Height | Coverage Area |
|-------------|------------------|------|-------|------|-------|-----------------|-------------------|
| D-15-EC-STD | 200-250VAC, 60Hz | 0.08 | 11.0 | 1260 | 62.0 | Up to 18 ft. | Up to 800 sq. ft. |

⁽¹⁾dB as Sound Power Level, designed to meet ISO 3744 - engineering grade precision for determining sound power.
Data independently verified by third party. Tests performed in-unit.

Controls & Factory Installed Options

| Item # | Description |
|----------|---|
| EC-MOD | Required for 0-10V control of this fan. Incompatible with PHI cells. |
| Pearlink | Wi-Fi iOS/Android controller |
| POT-1 | Wall-mounted speed control |
| PHI-9-C | 9" Photohydroionization cell to mitigate mold, bacteria, viruses, and odors |
| GUARD25 | Phosphated steel grille coated in black plastic |

| | |
|-----------------------------------|-------------|
| Fan Config: D-15-EC-STD-200-250-W | QTY: |
| Controls/Options: | QTY: |
| Project: | Engineer: |
| Submitted By: | Architect: |
| Date: | Contractor: |