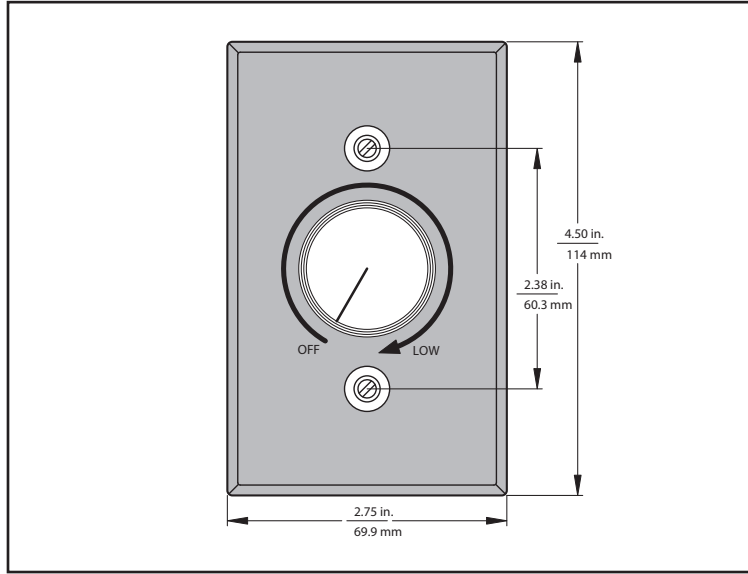




TRIAC-120-1.5 SPEED CONTROL SUBMITTAL

CONTROL OF SINGLE SHADED POLE/PSC MOTOR

MODEL	VOLTAGE	AMPS
TRIAC-120-1.5	120V	1.5



PROJECT	
ENGINEER	
ARCHITECT	
CONTRACTOR	
SUBMITTED BY	
DATE	
QUANTITY	

TRIAC SPEED CONTROL DESCRIPTION

Airius speed controls are used to vary the speed of shaded pole (SP) or permanent split capacitor (PSC) motors. Speed controls for EC motors: refer to the potentiometer submittal. Speed control for EL fans: refer to the FanCenter submittal.

ATTRIBUTES AND CHARACTERISTICS

- Built-in On/Off AC line switch
- RFI filter (provides RFI and EMI suppression)
- All models mount in a standard 2" x 4" electrical wall box
- Faceplate (4.5" x 2.75"), knob, screws and wire nuts included
- Simple installation by a qualified electrician
- Off - Max - Hi - Med - Low speeds (4 step)
- Can control a single fan or multiple fans

CODE APPROVAL

- UL listing/recognition
- CSA certified

WARRANTY

- Warranty - 1 - years parts and workmanship

