



## 0-10VDC Potentiometer Speed Control POT-1

### Features:

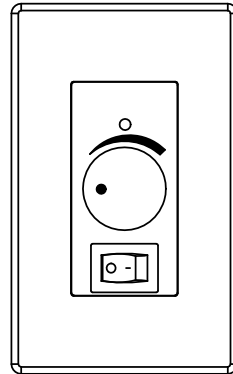
Input Voltage: 10VDC

Output Voltage: 0-10VDC

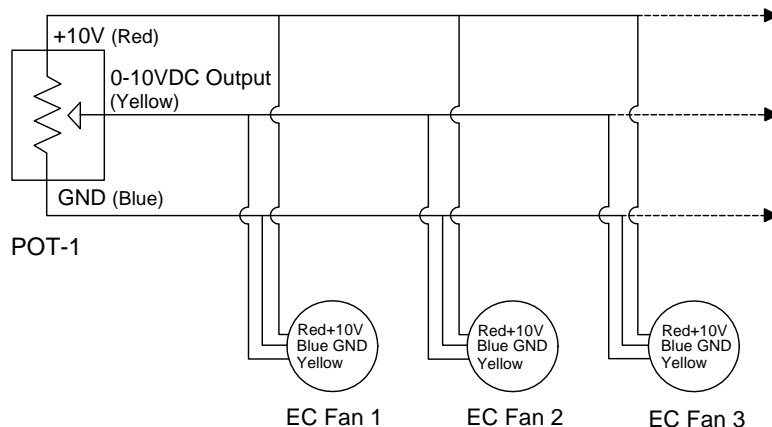
### Operation:

Rotating the dial will change the output voltage from 0VDC to 10VDC and change fan speed. The push button is used for on/off control.

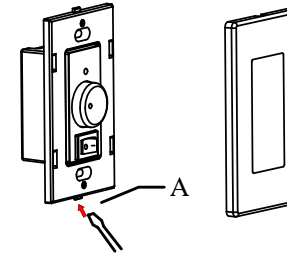
The indicator light shows the on/off power status.



### Wiring:

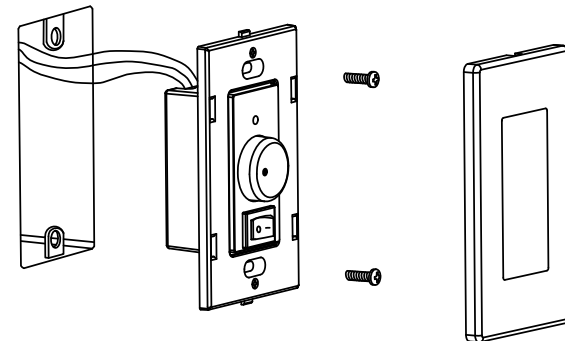


1) Open the front panel by using a flat head screwdriver



2) Wire according to the diagram on the reverse side of this sheet

3) Install the front panel as show in the following diagram



### Caution:

Installation must be done by qualified personnel only.  
Follow safety measures to avoid electric shock.

airiusfans.com  
airius.co.uk  
airius.com.au