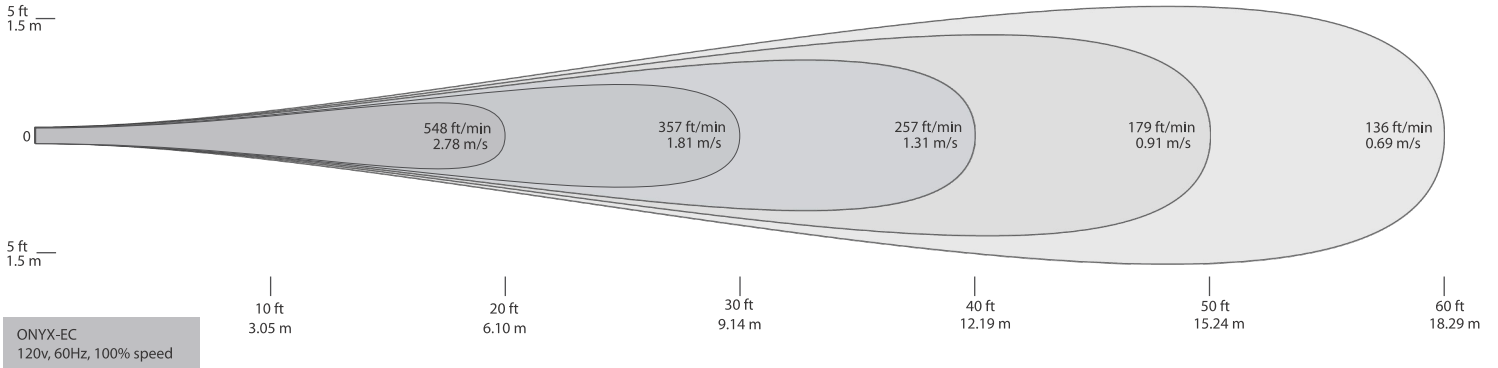


ONYX EC

AIRIUSFANS.COM | 888-247-7327



Housing: ABS, UL 94 5VA flame resistance. For increased chemical resistance to oils and alkalis.

Hardware: Stainless steel for increased corrosion resistance.

Motor: 300mm, electrically commutated, thermally-protected axial motor. Operating temperature: -13° F (-25° C) to 140° F (60° C). No lubrication required, bearings are sealed.

Power Cord: 6 foot cord and plug provided for 100-130V fans, no plug for 200-240V.

Control Input: 0-10VDC.

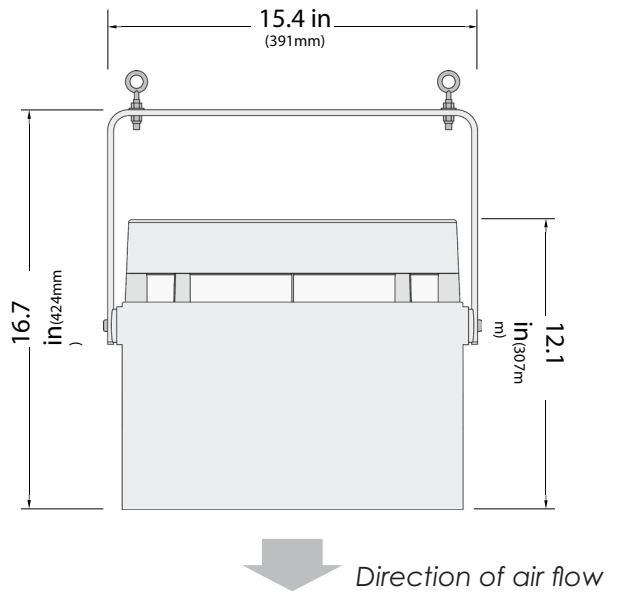
Stator: Multi-vane stator significantly increases air throw for maximizing performance.

Bypass Intake: Increases airflow volume through side intake entrainment.

Certification: Conforms to UL-507, CAN/CSA-C22.2 No. 1113. ETL listed in USA and Canada.

Safety Cable: 6' length steel cable (fastened to body)

Warranty: 3 years parts and workmanship.



Technical Specifications

Model	Input Power, 1 Ø	Amps	Watts	RPM	dB(A) ₁	Weight	Colors
ONYX-EC-STD-100-130-(X)	100-130VAC, 60Hz	1.32	90	1732	44, 43, 42	13 lbs.	X = Off white (W) or black (B)
ONYX-EC-STD-200-240-(X)	200-240VAC, 60Hz	0.8	98	1660	44, 43, 42	13 lbs.	X = Off white (W) or black (B)

(1) Calculated sound pressure at 40, 45 and 50 foot distances based on non-reflective area. 76.4 dB(A) Sound Power Level, designed to meet ISO 3744 - engineering grade precision for determining sound power. Data independently verified by third party. Tests performed in-unit.

Controls & Factory Installed Options

Item	Description
Pearlink-F	Pearlink Fan Sensor- One Per Fan. Wi-Fi iOS/Android App based controller. Factory installed option.
Pearlink-T	Pearlink wired (120v) Floor Thermostat- One Per Room
POT-1	Wall-mounted speed control. Low voltage control wiring daisy-chained between fans to be controlled as a group.
AirusBAC24	BACnet MS/TP card for integration with an existing BACnet system. Individually control speed, on/off and monitor fan status.
DeltaT-EC-Pack	Includes wall mounted control interface, two temperature sensors and 24VDC power supply. 0-10VDC output.

Model:	X = Off white (W) or black (B)	Qty:
Controls/Options:		Qty:

